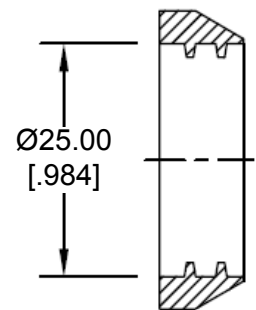
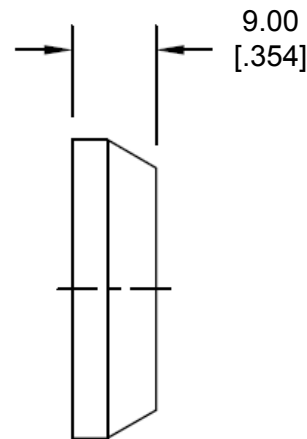
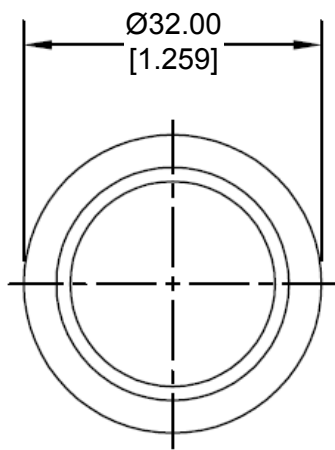


REVISIONS					
P	LTR	DESCRIPTION	DATE	DWN	APVD
	A	NEW RELEASE PER ECO-14-012855	08-20-14	DM	DM



1. THIS PART IS USED ON HDP20 SERIES SIZE 24 WITH -L015 MODIFICATION.
2. THIS PART IS USED WITH PN CN21 CAP NUT.
3. TEMPERATURE RATING: -40°C TO +134°C [-40°F TO +273°F]
4. PART NO. SRN21
5. CONDUIT SIZE NW22



2014

RELEASED FOR PUBLICATION

THIS DRAWING IS UNPUBLISHED.

ALL RIGHTS RESERVED.

© COPYRIGHT 2014 BY TE CONNECTIVITY

DIMENSIONS: MM [INCH]	DWN	D. MEYER 20AUG2014	MATERIAL	NEOPRENE	FINISH	BLACK
	CHK	I. GRANTCHARVORA 20AUG2014	 TE Connectivity			
TOLERANCES UNLESS OTHERWISE SPECIFIED:	APVD	D. MEYER 20AUG2014				
0 PLC ±	PRODUCT SPEC	NAME				SEAL RING, CONDUIT NW22, SIZE 24
1 PLC ±	APPLICATION SPEC	HDP20 SERIES				
2 PLC ± 0.76 [0.030]		SIZE	CAGE CODE	DRAWING NO	RESTRICTED TO	
3 PLC ±	WEIGHT	4.54 g	A 4	4AFU8	C - SRN21	-
4 PLC ±	Customer Drawing				SCALE	NONE
ANGLES ± 5°					SHEET	1 OF 1
					REV	A